

WZK/WZM Apartment Water Meters

WZK water meters are used to measure cold and hot water flows. The meters are available with or without impulse output. WZK meters are used to measure water flow with flow temperatures up to 30°C and WZW meters temperatures up to 120°C.

WZK/WZW meters are supplied individually factory calibrated. Calibration certificates available on request at additional cost.

Features

- Water Flow Rates Up to 2.5 m³/h
- Screwed Connection
- Impulse Output Option with 10 liter / impulse
- Horizontal or Vertical Mounting
- Factory Calibrated



Model Type	Model	Description
	WZK-1-5	DN15 Cold Water Meter 1.5m ³ /h, Without Couplings
	WZK-1-5-IMP-EU	DN15 Cold Water Meter 1.5m ³ /h, Impulse Output, Without Couplings
	WZK-2-5	DN20 Cold Water Meter 2.5m ³ /h, Without Couplings
	WZK-2-5-IMP-EU	DN20 Cold Water Meter 2.5m ³ /h, Impulse Output, Without Couplings
	WZW-1-5	DN15 Hot Water Meter 1.5m ³ /h, Without Couplings
	WZW-1-5-IMP-EU	DN15 Hot Water Meter 1.5m ³ /h, Impulse Output, Without Couplings
	WZW-2-5	DN20 Hot Water Meter 2.5m ³ /h, Without Couplings
	WZW-2-5-IMP-EU	DN20 Hot Water Meter 2.5m ³ /h, Impulse Output, Without Couplings
	WZ-CON-DN15	R1/2" Pipe Coupling Set for DN15 Meters (two couplings)
	WZ-CON-DN20	R3/4" Pipe Coupling Set for DN20 Meters (two couplings)
Technical Data	Display	8-Digit Roller Counter with 3 decimal places Display Rotateable 360°
	Meter Structure	Single Stream Surface Mounted Water Meter Safe Magent Coupling Between Wet and Dry Areas
	Water Temperatures	WZK Models: Up to 30°C WZW Models: Up to 120°C
	Installation Position	Horizontal or Vertical
	Metrological Class	Class B - Horizontal Mounting Class A - Vertical Mounting
	Approval	EC Approval

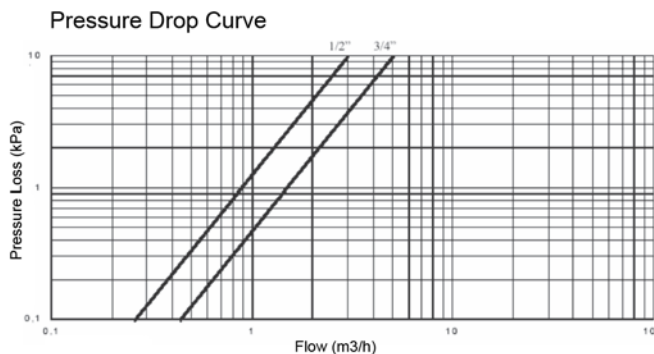
Impulse Output Option (IMP-models only)

Output Impulse Geration via Reed Relay
 Reading 10 liter / pulse (0.01 m³ / pulse)
 Cable Length 1m

Volume Device Technical Data	Model	Unit	WZx-1-5	WZx-IMP	WZx-2-5
Flow Rate		m ³ /h	1.5	1.5	2.5
Nominal Diameter		mm	15	15	20
Max Flow Rate		m ³ /h	3	3	5
Transitional Flow Rate		l/h	120	120	150
Min Flow Rate		l/h	30	30	50
Starting Flow Rate		l/h	8	5	15
Meter Connection			G3/4 B	G3/4 B	G1 B
Pipe Connection (with coupling)			R1/2"	R1/2"	R3/4"
Length	L - mm		80	110	130
Height	H - mm		72	72	77
Width	B - mm		70	70	70
Weight		kg	0.45	0.5	0.6

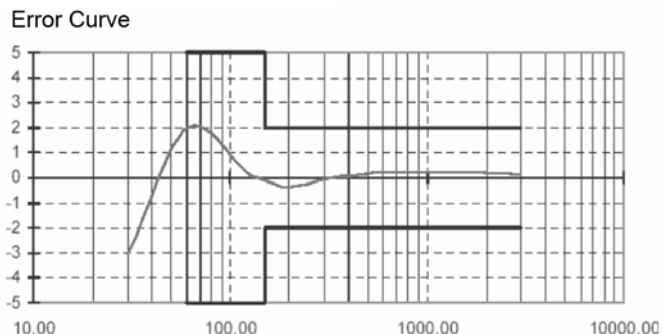
Pressure Drop

The following diagram illustrates the pressure drop across the meter as a function of flow rate.



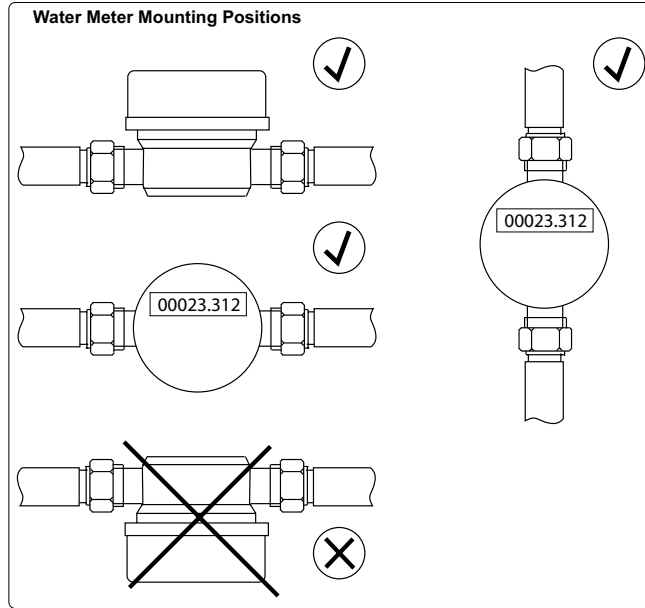
Measurement Accuracy

The diagram below illustrates the measurement accuracy as a function of nominal flow rate.



Mounting Instructions

Please look at the below diagram for the acceptable mounting positions.



Dimensions

Look at the Technical Data Table for the dimensions.

