

LUX11 Outside Light Level and Temperature Sensor

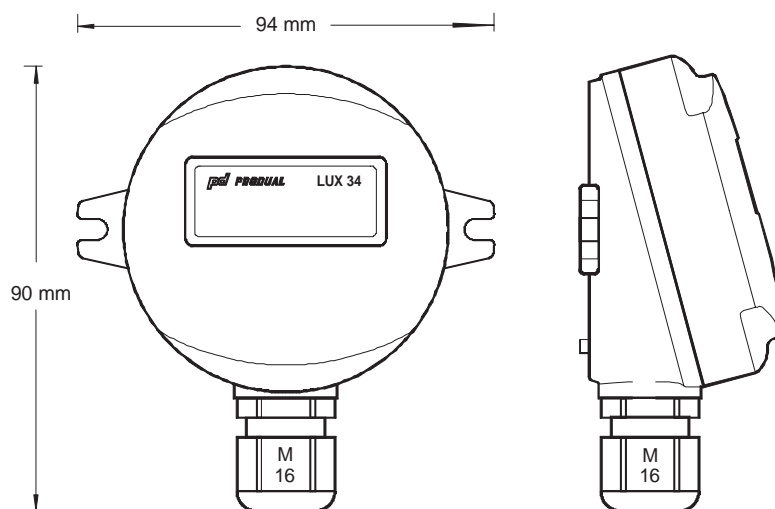
Light level sensor LUX 11 is a passive sensor detecting illumination level by a photo resistive cell and temperature by an NTC10 or NTC20 thermistor.

LUX11 is housed in an IP 54 surface-mounted box for outside installations.



Model Type	Model	Description
	LUX11-NTC10	Outside Light Level and NTC10k3 Temperature Sensor
	LUX11-NTC20	Outside Light Level and NTC20k Temperature Sensor
Technical Data	Ranges	
	- illumination level	0..800 lux = 30 kOhm..3.0 kOhm
	- temperature	-50..+80°C
	Sensors	
	- illumination level	photo resistive cell
	- temperature	NTC10k3 or NTC20k
	Housing	IP 54, mounting cable gland downwards
	Materials	PBT, PC and PA
	Agency Approvals	Directive 2004/108/EY EN61000-6-3: 2001 (Emissions) EN61000-6-2: 2001 (Immunity)
	Dimensions	90W x 94H x 44D mm

Dimensions



Resistance Table

Illumination Level (Lux)	Resistance (kOhm)
0	30.0
20	20.3
30	17.7
40	15.8
50	14.4
60	13.3
70	12.4
80	11.6
90	10.9
100	10.2
150	8.2
200	6.9
250	6.1
300	5.5
350	5.0
400	4.6
450	4.2
500	4.0
600	3.5
700	3.2
800	3.0