

## DBAT Strap-On Thermostats

DBAT strap-on thermostats are designed for controlling temperature of liquids and gases in variety of applications where it is not possible to insert pocket.

Models with setpoint adjustment knob visible or concealed under the cover are available

### Features

- Install in any position
- Easy adjustment of setpoint
- Models with concealed or exposed setpoint adjustment
- DBAT-4 with Manual Maximum Reset

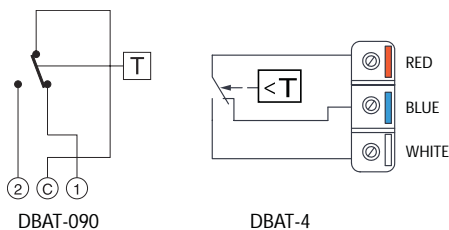


Model Types	Model	Description
	<b>DBAT-090</b>	Strap-On Thermostat, Range 0..+90°C, Exposed Setpoint Adjustment
	<b>DBAT-090U</b>	Strap-On Thermostat, Range 0..+90°C, Concealed Setpoint Adjustment
	<b>DBAT-4</b>	Strap-On Thermostat, Range 0..+60°C, Manual Maximum Reset, Exposed Setpoint Adjustment

Technical Data		
Sensing Element	Liquid Filled Coiled Copper Bulb for Contact	
Switching Contacts	DBAT-090:	16(4)A 250Vac / 6(1)A 400Vac SPDT
	DBAT-4:	15(8)A 24..250Vac SPDT
Setpoint Adjustment	DBAT-090:	Exposed Knob
	DBAT-090U:	Concealed Knob
	DBAT-4:	Exposed Knob, Manual Maximum Reset
Operating Temperature	-35..+65°C	
Storage Temperature	-20..+70°C	
Protection Class	DBAT-090:	IP40
	DBAT-4:	IP65
Enclosure	Byblend Base, ABS cover	
Size	DBAT-090:	55W x 105H x 38D mm
	DBAT-4:	70W x 108H x 72D mm

Technical Characteristics	Element	Range °C	Differential °C	Max. bulb Temp °C
	DBAT-090	0..90	5	110
	DBAT-090U	30..90	5	110
	DBAT-4	0..60	Manual Maximum Reset	75

**Wiring Details**



**DBAT-090**

Heating Application: Connect terminal C and terminal 1. The contacts open during the temperature increase.

Cooling Application: Connect terminal C and terminal 2. The contacts open during the temperature decrease.

**DBAT-4**

Heating Application: Connect Red terminal and Blue terminal 1. The contacts open during the temperature increase.

Cooling Application: Connect Red terminal and White terminal. The contacts open during the temperature decrease.

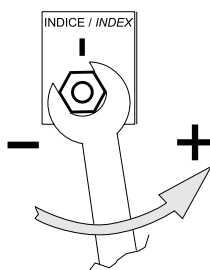
**WARNING:**

**Installation and electrical wirings of this appliance must be made by qualified technicians and in compliance with the current standards**

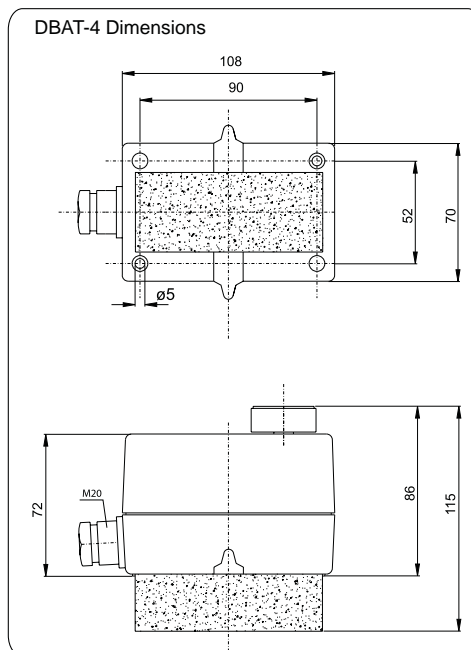
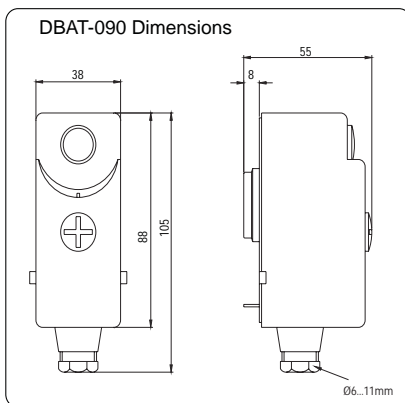
The range may be calibrated by tuning carefully the hexagon nut under the knob (DBAT-4 only).

**Range Calibration**

**DBAT-4 RANGE CALIBRATION**



**Dimensions**



Notes: In the view of a constant development of their products, the manufacturer reserves the right for changing technical data and features without prior notice. The consumer is guaranteed against any lack of conformity for 24 months from the time of delivery, according to the European Directive 1999/44/EC. The full text of guarantee is available on request from the seller.